

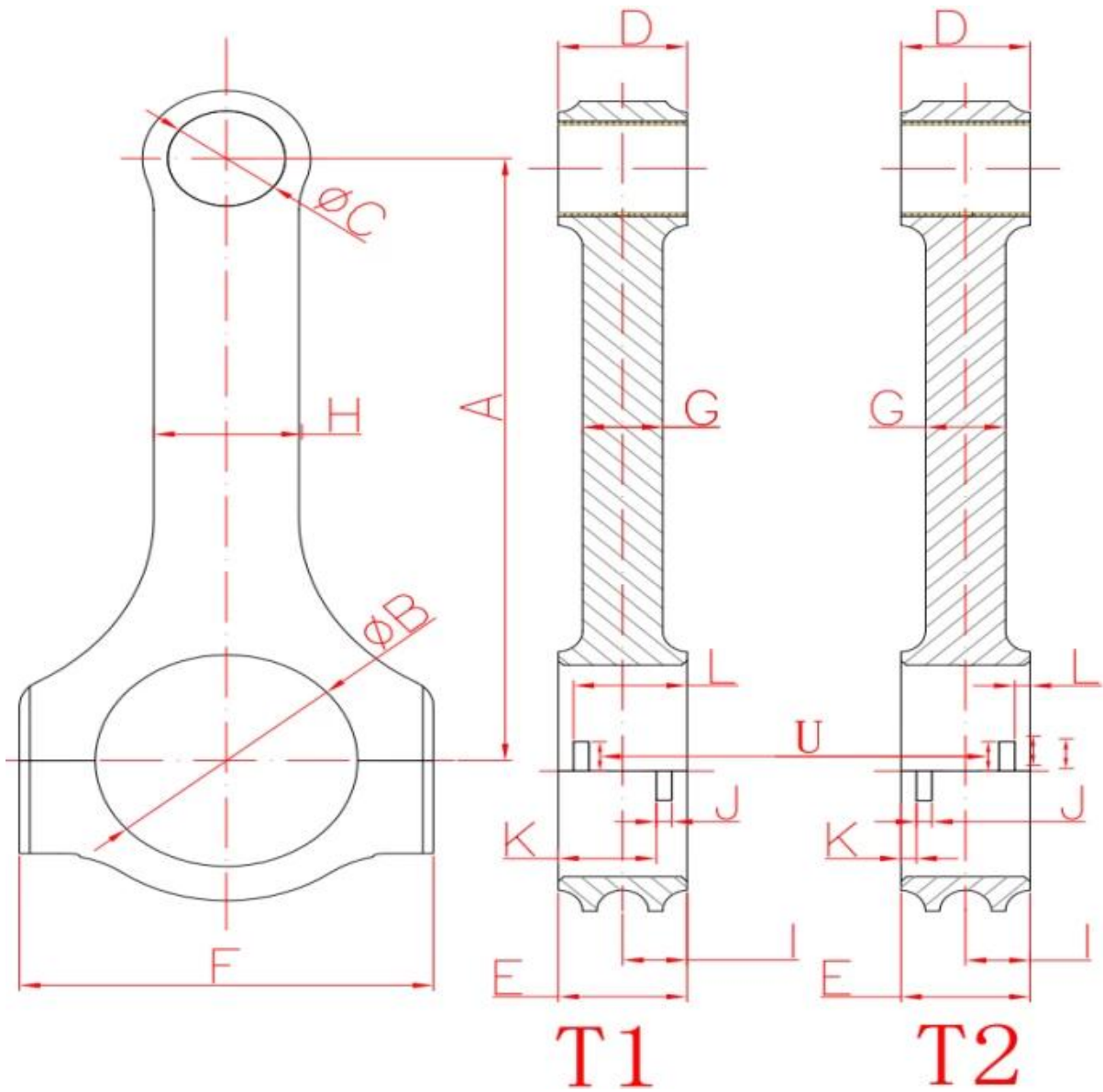
Brand: Hurricane*
Engine: Toyota 2ZZ-GE
Part Type: Connecting Rods
Center to Center Length: 139mm/5.472"
Big End Bore Diameter: 48mm/1.890"
Big End Width: 19.81mm/0.780"
Small End Bore Diameter: 20.00mm /0.787"
Small End Width: 18.01mm/0.709"
Beam Style: H-beam
Connecting Rod Bolt Diameter: 3/8"
Approximate Connecting Rod Weight: 450g/piece
Advertised Horsepower Rating: 600hp
Quantity: Sold as 4 pieces /set
Material: Forged 4340 steel
Connecting Rod Finish: Shot-peened, Polished
Pin: Bronze wrist pin bushings
Wrist Pin Style: Floating
Cap Retention Style: Cap screw
Weight Matched Set: Yes ,Balanced +/- 1g
Magnafluxed: Yes
Private Label: Yes ,available
Custom design: Yes, accept

High Performance Toyota Celica 2ZZ-GE 1.8L H-Beam Connecting rods description

The strongest yet lightest rods available. While other manufacturers are cutting corners, Hurricane incorporates only the finest aircraft quality steel, give you an edge over your competitors. Every contour is designed to enhance overall strength and reliability at high engine rpm. Hurricane connecting rods incorporate an H-beam design that eliminates pockets of excess material and delivers exceptional longitudinal and horizontal strength. The cap screw design assures true roundness and a positive bearing seat under severe load factors, in which eliminating rod bearing failure.

Protect your investment by insisting on only Hurricane rods for your high performance needs: **Std Toyota 2ZZ-GE 138MM/20MM** and **Customs Toyota 2ZZ-GE 139MM/20MM**, I believe we are your best choices. All **forged 4340 steel connecting rods for Toyota** have uploaded.

By the way, if you didn't find rods you want, you could contact us online or by email (marketing@hurricane-rod.com.cn). If you want any **custom rods**, you could tell us these sizes, we would like to develop new rods with you together



FAQ

A: What kind of package will you use by Air?

B: Besides custom package, we will use bag, foam and neutral box to package rods, like this picture

