

Brand: Hurricane*
Engine: Suzuki GSXR 1300 Hayabusa 99-07
Part Type: Connecting Rods
Center to Center Length: 119.5mm/4.705"
Big End Bore Diameter: 41mm/1.614"
Big End Width: 20.98mm/0.826"
Small End Bore Diameter: 20mm /0.787"
Small End Width: 20.96mm/0.825"
Beam Style: H-beam
Connecting Rod Bolt Diameter:~
Approximate Connecting Rod Weight: ~g/piece
Advertised Horsepower Rating: 550hp
Quantity: Sold as 4 pieces /set
Material: Forged 4340 steel
Connecting Rod Finish: Shot-peened, Polished
Pin: Bronze wrist pin bushings
Wrist Pin Style: Floating
Cap Retention Style: Cap screw
Weight Matched Set: Yes ,Balanced +/- 1g
Magnafluxed: Yes
Private Label: Yes ,available
Custom design: Yes, accept

Suzuki GSXR 1300 Hayabusa 99-07 H beam connecting rods made from 1-piece chromoly 4340 steel material to ensure maximum strength. Per rod finished 2 oil holes at pin end to provide additional lubrication and cooling, bronze wrist pin bushings are fitted to each rod for increased wear resistance. Per rod fully polished and shot peed at Hurricane factory for longest fatigue life . They are weight m atched sets +/-

1 gram , and sold as 4pcs per set , they can hold 550 hp per cylinder . Dimensions inspected, pin end bore and big end bore honed for tight tolerance to meet high quality standard .

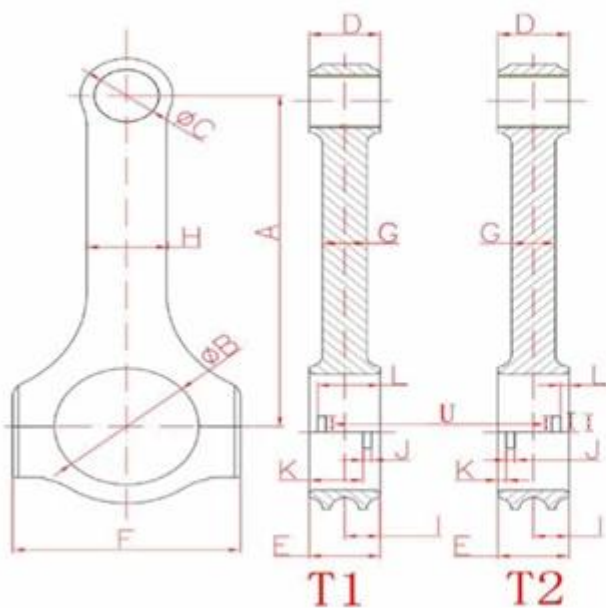


Hurricane have 20+ years experience on manufacturing high performance racing connecting rods, per rod can be designed and customized as your specified and private request .



Hurricane Speed & Performance - Custom Connecting Rod Form

SPECIEF UNITS: _____ MM OR IN



- | | |
|-----------------------------|-------------------------|
| A. _____ | B. _____ |
| Center to Center length/中心距 | Big End Bore/大孔 |
| C. _____ | D. _____ |
| Pin End Bore/小孔 | Pin End Width/小端厚度 |
| E. _____ | F. _____ |
| Big End Width/大端厚度 | Overall BE Width/肩宽 |
| G. _____ | H. _____ |
| Beam Thickness/杆厚 | Beam Width/杆宽 |
| I. _____ | S. _____ |
| BE Offset | T1 Or T2 反瓦/正瓦 |
| K. _____ | J. _____ |
| Tang Position | Tang Width/瓦槽宽度 |
| V. _____ | L. _____ |
| Tang Depth/瓦槽深度 | Tang Position |
| U. _____ | M. _____ |
| Tang Length/瓦槽长度 | H-beam,X-beam,I-beam/设计 |
| O. _____ | N. _____ |
| Piece/Set 只/组 | Engine Model/发动机型号 |
| P. _____ | Q. _____ |
| Bolt Diameter(Inch)螺栓规格 | Piece (Quantity)数量 |
| R. _____ | |
| Bolt Length(Inch)螺栓长度 | |



If you did not find the performance rods you need, please don't hesitate to fill in [Custom Connecting](#)

[Rod Form](#) or [contact us](#) for assistance .