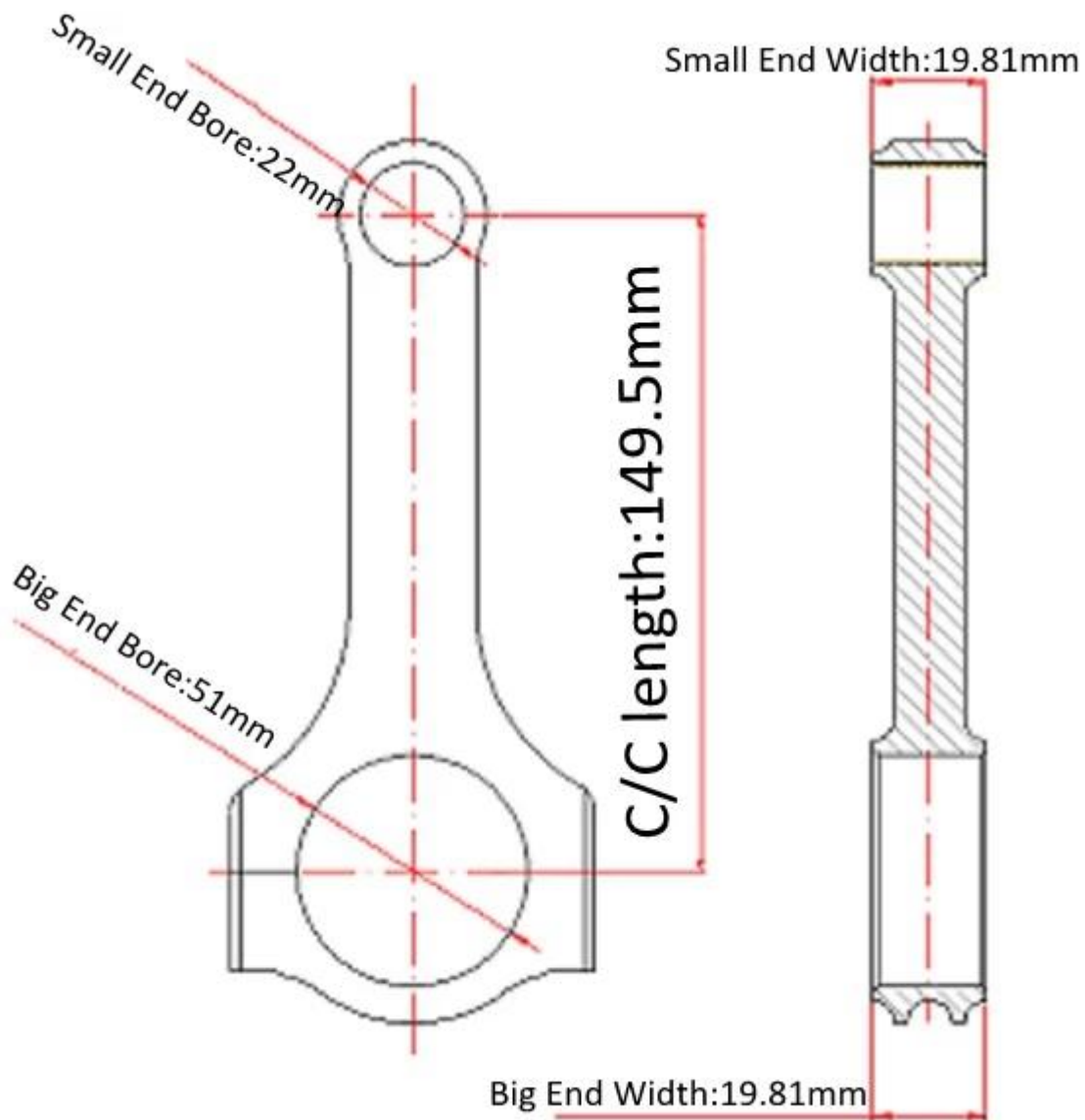


Brand: Hurricane
Engine: TOYOTA 2AZ/SCION TC
Part Type: Connecting Rods
Center to Center Length: 149.5mm/5.886"
Big End Bore Diameter: 51mm/2.008"
Big End Width: 19.81mm/0.780"
Small End Bore Diameter: 22mm /0.866"
Small End Width: 19.81mm/0.780"
Beam Style: H-beam
Connecting Rod Bolt Diameter: 3/8"
Approximate Connecting Rod Weight: ~g/piece
Advertised Horsepower Rating: 550hp
Quantity: Sold as 4 pieces /set
Material: Forged 4340 steel
Connecting Rod Finish: Shot-peened, Polished
Pin: Bronze wrist pin bushings
Wrist Pin Style: Floating
Cap Retention Style: Cap screw
Weight Matched Set: Yes ,Balanced +/- 1g
Magnafluxed: Yes
Private Label: Yes ,available
Custom design: Yes, accept

TOYOTA/SCION TC 2AZ-FE H beam Rods Main Dimension Drawing



Hurricane Speed And Performance factory accept conrods custom design for batch order only, All conrods designs and dimensions can all be customised to fits customer's engine request, You can [check with one of our skilled staff to discuss more details.](#)

2AZ-FE Performance Parts conrods for Scion TC Description

Hurricane Team strives to bring customers a high-quality connecting rod at an affordable price. All Toyota 2AZ-FE/FXE VVTi Connecting Rods are honed, pre clearance and weight balanced to +/-1g each set (set of 4), You can use it directly when you have hurricane rods in hand, which also means you do not waste too much time and cost in a machine shop. much more H Beam 2AZ-FE Connecting Rods big and small ends are perfectly round, feature silicone bronze wrist pin bushes to ensure reliability.



The 2AZ-FE engine has been used in the following model vehicles (and others):

- 2002-2011 Camry
- 2009-2011 Matrix S XR XRS
- 2009-2010 Pontiac Vibe
- 2009-2010 Corolla XRS (2011-2013 only in Mexico)
- 2002-2008 Camry Solara
- 2004-2007 RAV4
- 2001-2007 Highlander Kluger Harrier
- Estima
- Ipsum
- Previa
- Tarago
- Alphard
- Blade
- Avensis
- 2005-2010 Scion tC
- 2008-2015 Scion xB
- 2007-2013 MarkX Zio

Toyoty Camry NasCar



Note: Picture from TopSpeed.