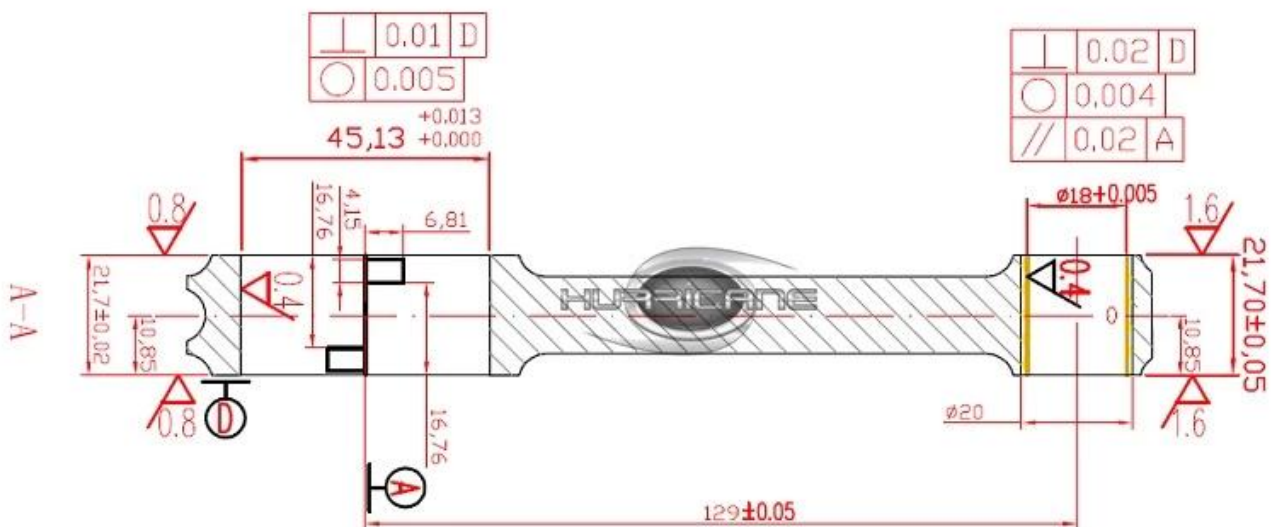


Brand: Hurricane
 Engine: Fiat 500 Abarth Punto 1.4L T-Jet
 Part Type: Connecting Rods
 Center to Center Length: 129mm/5.079"
 Big End Bore Diameter: 45.13mm/1.777"
 Big End Width: 21.7mm/0.854"
 Small End Bore Diameter: 18mm /0.709"
 Small End Width: 21.7mm/0.854"
 Beam Style: H-beam
 Connecting Rod Bolt Diameter: 5/16"
 Approximate Connecting Rod Weight: 415g/piece
 Advertised Horsepower Rating: 550hp
 Quantity: Sold as 4 pieces /set
 Material: Forged 4340 steel
 Connecting Rod Finish: Shot-peened, Polished
 Pin: Bronze wrist pin bushings
 Wrist Pin Style: Floating
 Cap Retention Style: Cap screw
 Weight Matched Set: Yes ,Balanced +/- 1g
 Magnafluxed: Yes
 Private Label: Yes ,available
 Custom design: Yes, accept

Fiat 500 Abarth Punto 1.4L T-Jet Forged Conrods Description

Brand New H beam connecting rods for Fiat 500 Abarth Punto 1.4L T-Jet engines. Those fiat forged 4340 steel connecting rods are full coverage shot peened to improve fatigue life, Multi-stage heat treated to increased tensile strength. They are designed by in-house engineering team for high-stress racing applications and designed to reach around 550 horsepower. Much more hurricane connecting rods for fiat engine are finish-honed By Sunnen Honing Machine to some of the tightest tolerances in the industry.

H beam Fiat connecting rods 129mm main sizes as follows:



Basiz on std H-beam, custom rods could be made for you also, design:



Related product:

[Fiat Punto 1.4L T-Jet 129mm forged 4340 I beam connecting rods](#)

Hurricane also offer custom private label service for batch orders, If you want to laser engraved your brand on conrods, please contact us on Live Chat or email to marketing@hurricane-rod.com.cn.



Fiat Performance Replacement H-beam 1.4L 129mm connecting rods

Hurricane produced performance Fiat replacement 129mm H beam connecting rods includes Hurricane COPY ARP2000 5/16 rod bolts and Premium bronze wrist pin bushings to ensure reliability. Hurricane produced performance Fiat replacement 129mm H beam connecting rods includes Hurricane COPY ARP2000 5/16 rod bolts and Premium bronze wrist pin bushings to ensure reliability.



Fiat 500 Abarth Car Picture Share

