

Brand: Hurricane
Engine: BMW M20
Part Type: Connecting Rods
Center to Center Length: 130mm/5.118"
Big End Bore Diameter: 48.00mm/1.890"
Big End Width: 21.87mm/0.861"
Small End Bore Diameter: 22.012mm /0.867"
Small End Width: 21.87mm/0.861"
Beam Style: H-beam
Connecting Rod Bolt Diameter: 3/8"
Approximate Connecting Rod Weight: 498 gram per piece without bolts
Advertised Horsepower Rating: 900hp
Quantity: Sold as 6 pieces per set
Material: Forged 4340 steel
Connecting Rod Finish: Shot-peened, Polished
Pin: Bronze wrist pin bushings
Wrist Pin Style: Floating
Cap Retention Style: Cap screw
Weight Matched Set: Yes, Balanced +/- 1g
Magnafluxed: Yes
Private Label: Yes ,available
Custom design: Yes, accept

BMW M20 6cyl Forged H-beam connecting rod Description

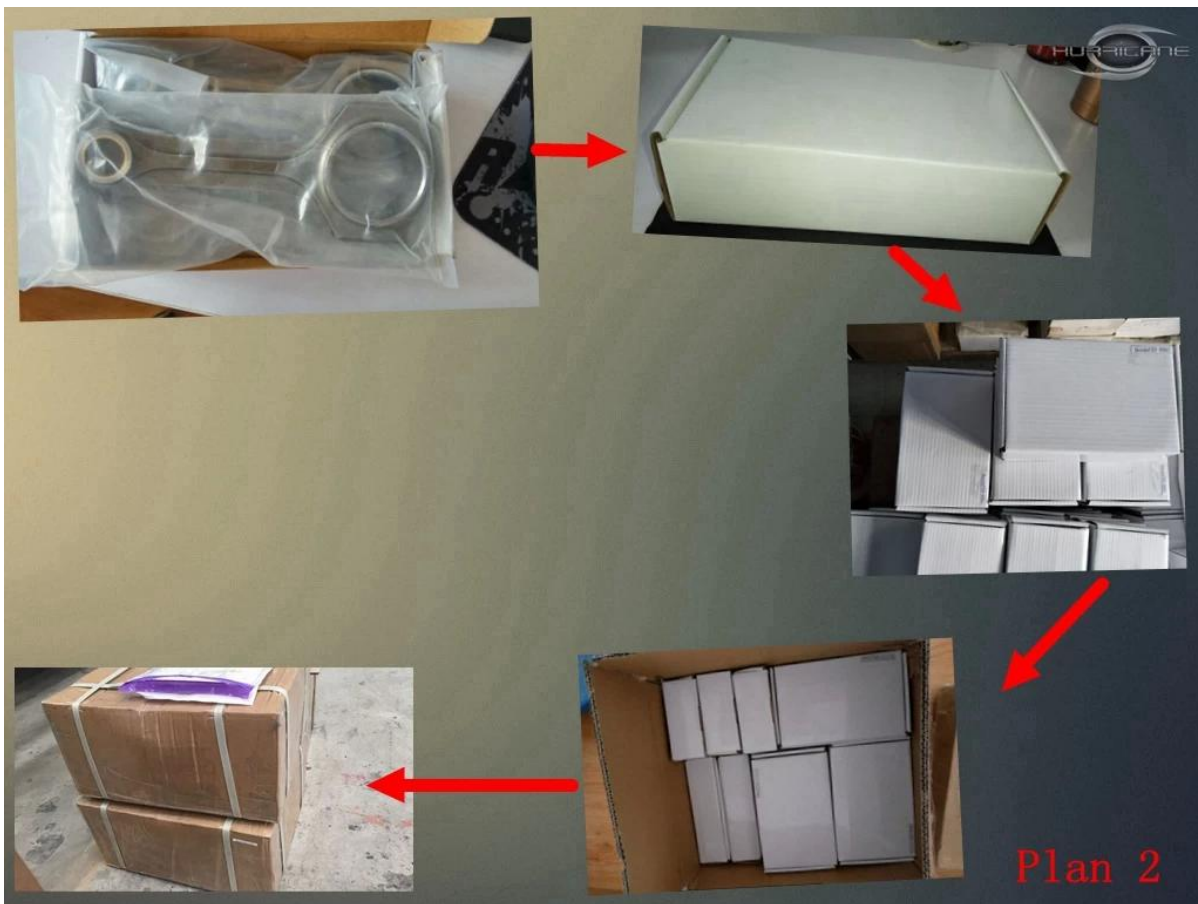
- 1).Forged from quality **4340 (EN24) steel** material
- 2).Heat treated to HRC 34-38
- 3).Polished and Shot peened for high fatigue strength
- 4).Per rod's small ends bushed for a fully floating pin
- 5). Designed and Manufactured for high performance BMW engines which rate up to 900HP .



- 6). H-Beam 130mm Connecting Rods for BMW M20 Engines are fully inspected and then packaged in 6 pcs per set, balance weighted in +/- 1 gram per set.



BMW M20 H-Beam Connecting Rods (6 PCS) will be packaged well in carton if air-express used .



Except BMW M20 H-Beam Connecting Rods 130mm Rod Length, Hurricane factory also supply forged 4340 connecting rods BMW M20 in 135mm and 140mm length. If you are looking for high performance forged conrods without breaking your budget, please feel free **contact us** for your needs . Also , we can custom the rods as your specified specs or design , welcome to contact us if any interest ,the Steps Of Custom Conrods as below :

- 1) received the drawing or sample , then we make quote detail
- 2) if you agree our quote , then we design drawing

3) each other confirm the drawing and deal detail

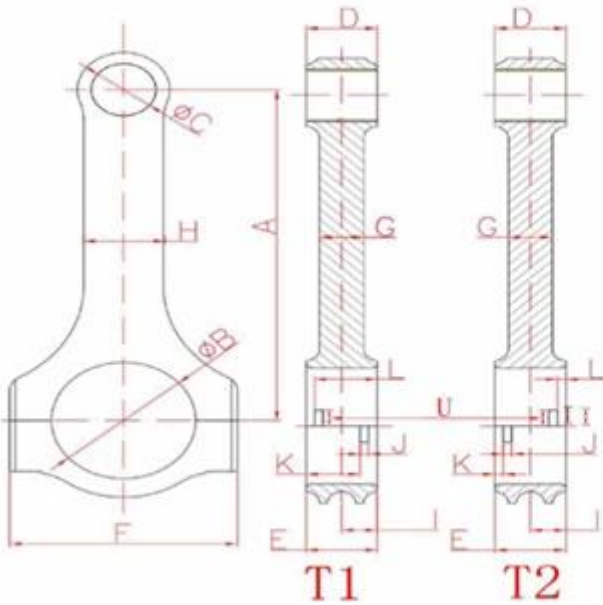
4) all confirm finished , 30% deposit required , then we make sample for you to test if necessary

5) balance before shipping , then we arrange shipping by your forwarder or our forwarder in time once received payment .



Hurricane Speed & Performance - Custom Connecting Rod Form

SPECIEF UNITS: _____ MM OR IN



- A. _____ Center to Center length/中心距
- B. _____ Big End Bore/大孔
- C. _____ Pin End Bore/小孔
- D. _____ Pin End Width/小轴厚度
- E. _____ Big End Width/大轴厚度
- F. _____ Overall BE Width/肩宽
- G. _____ Beam Thickness/杆厚
- H. _____ Beam Width/杆宽
- I. _____ BE Offset
- J. _____ T1 Or T2 反瓦/正瓦
- K. _____ Tang Position
- L. _____ Tang Width/瓦槽宽度
- V. _____ Tang Depth/瓦槽深度
- M. _____ Tang Position
- U. _____ Tang Length/瓦槽长度
- N. _____ H-beam X-beam I-beam/设计
- O. _____ Piece/Set 只/组
- P. _____ Engine Model/发动机型号
- Q. _____ Bolt Diameter(Inch)螺栓规格
- R. _____ Bolt Length(Inch)螺栓长度

