

# GM V8 performance H beam Connecting Rods Main Sizes

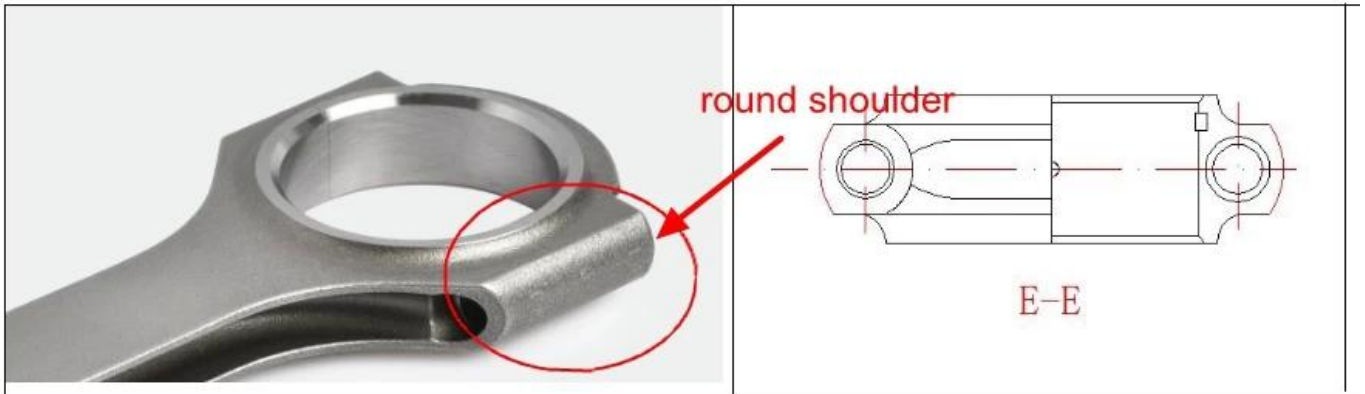
Brand: Hurricane	
Center to Center Length: 170.18mm/6.700"	
Big End Bore Diameter: 59.047mm /2.325"	
Big End Width: 25.17mm/0.990"	
Small End Bore Diameter: 25.146mm/0.990"	
Small End Width: 28.70mm/1.130"	
Beam Style: H-beam	

## Chevy forged 4340 steel V8 BBC conrods Features

<b>Connecting Rod Bolt</b> Diameter	7/16"
Approximate Connecting Rod Weight	xxx
Advertised Horsepower Rating	1000hp
Quantity	Sold as 8 pieces /set
Material	Forged 4340 steel
Connecting Rod Finish	Shot-peened, Polished
Pin	Bronze wrist pin bushings
Wrist Pin Style	Floating
Cap Retention Style	Cap screw
Weight Matched Set	Yes, Balanced +/- 1g
Magnafluxed	Yes
Private Label	Yes, available
Custom design	Yes, accept

## Chevy V8 BBC 6.700" H beam Conrods Description

GM BBC forged connecting rods made from high tensile chromoly 4340 steel forgings for super strength and durability, GM V8 performance H beam connecting rods are 100% CNC machine to meet high quality standard , engineered to H-beam to save more weights and designed to **round shoulder** for beautiful appearance , bronze wrist pin bushings are also fitted to each bbc rods for increased wear resistance, and are compatible with aftermarket forged pistons without additional machining. Chevy V8 BBC 6.700" H beam conrods could support 1000 horsepower.



### Chevrolet(gm) H-beam Connecting Rod Picture



### FAQs:

Q : Can you do [custom connecting rods](#) ?

A : Yes , there are some steps for your reference as below :

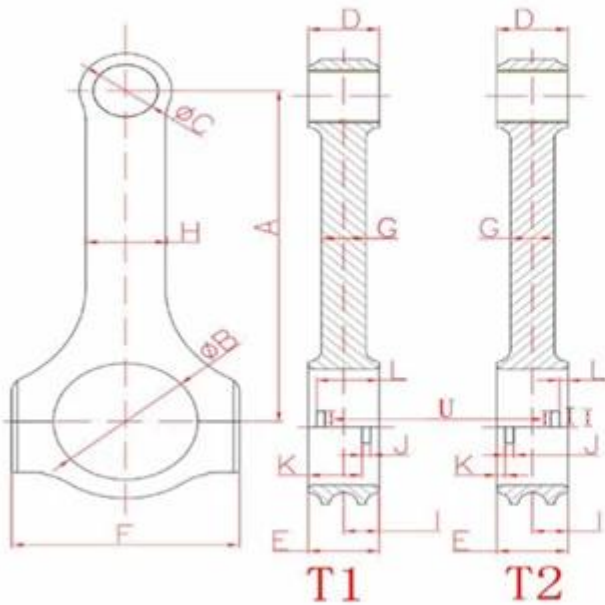
- 1)received the drawing or sample or the full specs of your rods( Custom Connecting Rod Form ) , then we make quote detail
- 2) if you agree our quote , then we design drawing
- 3) Confirm the drawing and deal details
- 4) All confirm finished , 30% deposit required , then we make sample for you to test if necessary
- 5) balance before shipping , then we arrange shipping by your forwarder or our forwarder in time once received payment .

You also can [click here](#) to fill in all your rods sizes and send file back to us, after checked , accurate quotation will be sent to you by email within 3 days .



### Hurricane Speed & Performance - Custom Connecting Rod Form

SPECIEF UNITS: \_\_\_\_\_ MM OR IN



- |                             |                         |
|-----------------------------|-------------------------|
| A. _____                    | B. _____                |
| Center to Center length/中心距 | Big End Bore/大孔         |
| C. _____                    | D. _____                |
| Pin End Bore/小孔             | Pin End Width/小端厚度      |
| E. _____                    | F. _____                |
| Big End Width/大端厚度          | Overall BE Width/肩宽     |
| G. _____                    | H. _____                |
| Beam Thickness/杆厚           | Beam Width/杆宽           |
| I. _____                    | S. _____                |
| BE Offset                   | T1 Or T2 反瓦/正瓦          |
| K. _____                    | J. _____                |
| Tang Position               | Tang Width/瓦槽宽度         |
| V. _____                    | L. _____                |
| Tang Depth/瓦槽深度             | Tang Position           |
| U. _____                    | M. _____                |
| Tang Length/瓦槽长度            | H-beam/X-beam/I-beam/设计 |
| O. _____                    | N. _____                |
| Piece/Set 只/组               | Engine Model/发动机型号      |
| P. _____                    | Q. _____                |
| Bolt Diameter(Inch)螺栓规格     | Piece (Quantity)数量      |
| R. _____                    |                         |
| Bolt Length(Inch)螺栓长度       |                         |

