

Brand: Hurricane\*  
Engine: Ford 2.3L  
Part Type: Connecting Rods  
Center to Center Length: 139.70mm/5.500"  
Big End Bore Diameter: 55.169mm/2.172"  
Big End Width: 25.146mm/0.990"  
Small End Bore Diameter: 23.165mm /0.912"  
Small End Width: 25.146mm/0.990"  
Beam Style: H-beam  
**Connecting Rod Bolt** Diameter: 3/8"  
Advertised Horsepower Rating: 550hp  
Quantity: Sold as 4 pieces /set  
Material: Forged 4340 steel  
Connecting Rod Finish: Shot-peened, Polished  
Pin: Bronze wrist pin bushings  
Wrist Pin Style: Floating  
Cap Retention Style: Cap screw  
Weight Matched Set: Yes ,Balanced +/- 1g  
Magnafluxed: Yes  
Private Label: Yes ,available  
Custom design: Yes, accept

Hurricane supply performance forged 4340 H-beam connecting rods with competitive price since 2000 , these rods are suitable for Ford 2.3L race engines , sold as set of 4 pieces , each set weight balanced +/- 1 gram . All these rods are magnafluxed, heat treated and shot peened , 100% CNC machined, H-beam shape with high strength and reliability can help these rods to handle extreme engine loads , also help to save more weight .



Hurricane produces high quality forged connecting rods for different Ford engines , for example:

[Ford 5.4L Modular](#)

[FORD 351 WINDSOR](#)

[Ford 4.7L/289, 5.0L/302](#)

[FORD SMALL BLOCK-289/302/5.0L](#)

[FORD SMALL BLOCK-289/302/5.0L](#)

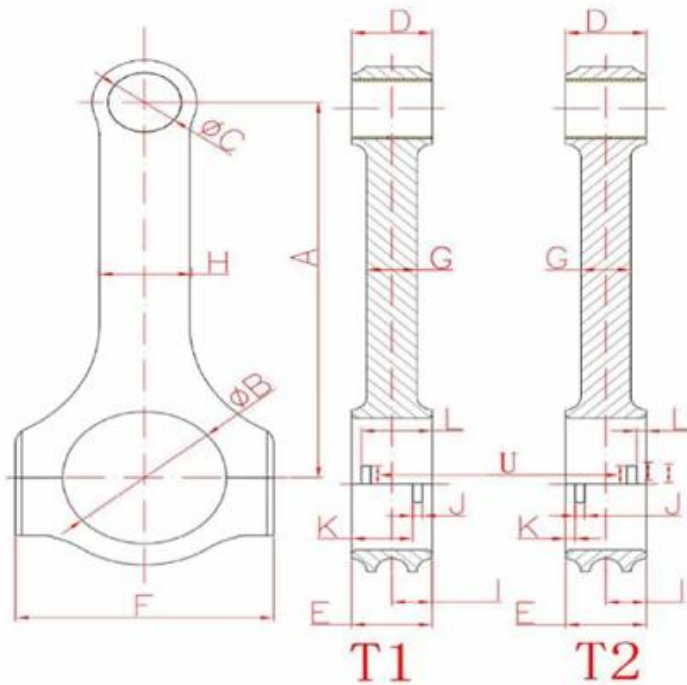
[Ford 4.6L/5.0L](#)

Hurricane offer custom service too , custom deisgn or custom sizes is acceptable , welcome to [contact](#) us for your customize demands .



## Hurricane Speed & Performance - Custom Connecting Rod Form

SPECIEF UNITS: \_\_\_\_\_ MM OR IN



- |                             |                         |
|-----------------------------|-------------------------|
| A. _____                    | B. _____                |
| Center to Center length/中心距 | Big End Bore/大孔         |
| C. _____                    | D. _____                |
| Pin End Bore/小孔             | Pin End Width/小端厚度      |
| E. _____                    | F. _____                |
| Big End Width/大端厚度          | Overall BE Width/肩宽     |
| G. _____                    | H. _____                |
| Beam Thickness/杆厚           | Beam Width/杆宽           |
| I. _____                    | S. _____                |
| BE Offset                   | T1 Or T2 反瓦/正瓦          |
| K. _____                    | J. _____                |
| Tang Position               | Tang Width/瓦槽宽度         |
| V. _____                    | L. _____                |
| Tang Depth/瓦槽深度             | Tang Position           |
| U. _____                    | M. _____                |
| Tang Length/瓦槽长度            | H-beam,X-beam,I-beam/设计 |
| O. _____                    | N. _____                |
| Piece/Set 只/组               | Engine Model/发动机型号      |
| P. _____                    | Q. _____                |
| Bolt Diameter(Inch)/螺栓规格    | Piece (Quantity)数量      |
| R. _____                    |                         |
| Bolt Length(Inch)螺栓长度       |                         |

