

Brand: Hurricane

Engine: Chevy 5.7L/350 5.4L/327 4.9L/302 5.0L/307 6.6L/400 4.3L/262 5.0L/305 4.4L/267

Part Type: Connecting Rods

Center to Center Length: 158.75mm/6.250"

Big End Bore Diameter: 56.507mm/2.225"

Big End Width: 23.9mm/0.940"

Small End Bore Diameter: 23.561mm /0.927"

Small End Width: 26.96mm/1.061"

Beam Style: H-beam

Connecting Rod Bolt Diameter: 7/16"

Approximate Connecting Rod Weight: 580g/piece

Advertised Horsepower Rating: 1000hp

Quantity: Sold as 8 pieces /set

Material: Forged 4340 steel

Connecting Rod Finish: Shot-peened, Polished

Pin: Bronze wrist pin bushings

Wrist Pin Style: Floating

Cap Retention Style: Cap screw

Weight Matched Set: Yes ,Balanced +/- 1g

Magnafluxed: Yes

Private Label: Yes ,available

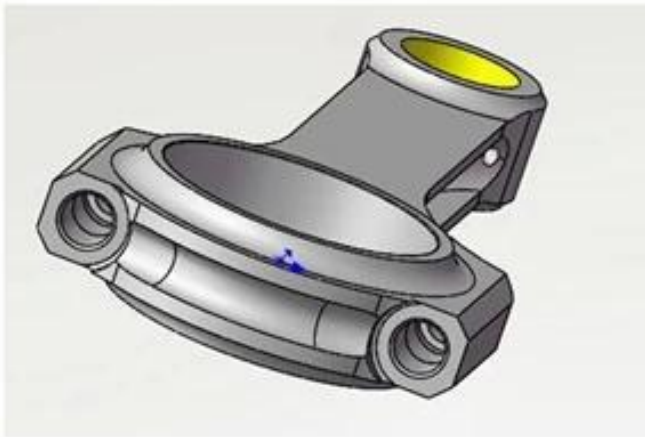
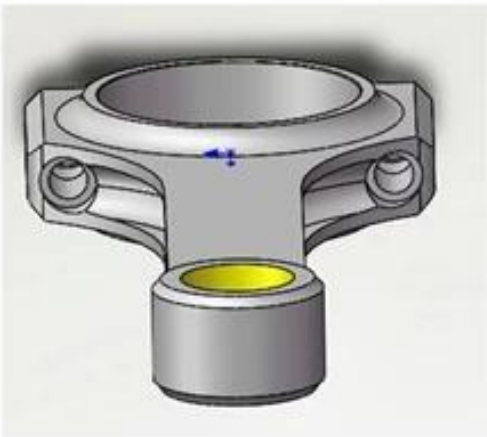
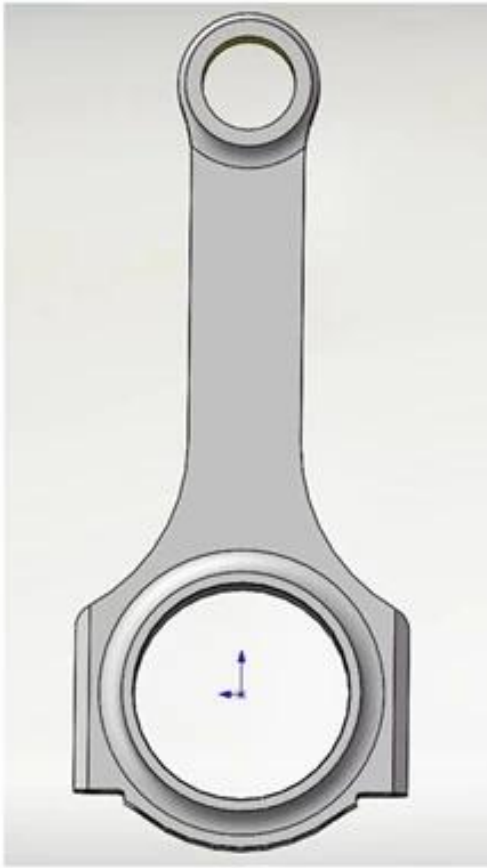
Custom design: Yes, accept

H-Beam Connecting Rods Chev SB 6.250" Description

Free your engine's horsepower on the wings of Hurricane H-beam connecting rods. Their forged, vacuum-degassed, 4340-certified steel construction provides outstanding strength, while still weighing much less than stock rods.



Then designed and checked by full 3D models.



Each rod is multi-stage heat-treated, [100 percent machined](#), and then shot-peened to stress-relieve the metal. The rods have precision cap alignment sleeves to positively locate each rod cap, silicon bronze bushings for floating pin models—and are available in stroker models that allow additional cam-to-rod clearance for large stroke combinations.



They come standard with 190,000 psi rated **ARP 8740** and 230,000 psi rated **ARP 2000** rod bolts, or 265,000 psi rated **ARP L-19** bolts as upgrades. Instructions and rod bolt lubrication are included.



Order the model designed for your vehicle make and engine application.

[All Chevy Series rods](#), like [6.625"](#) [6.800"](#) [6.000"](#) [7.100"](#)