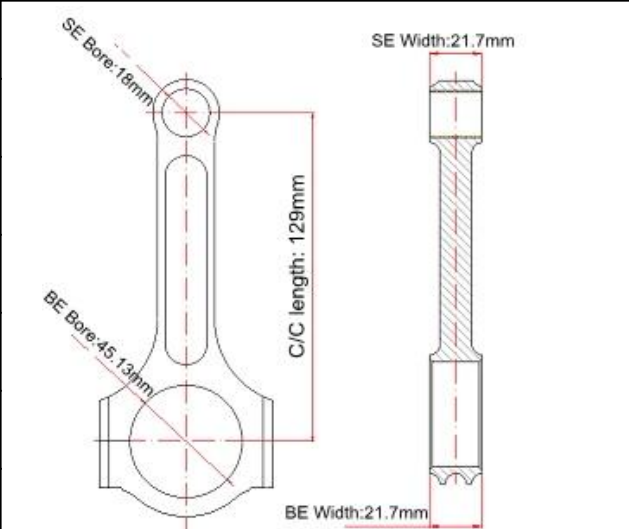


## I-Beam Fiat Punto 1.4L Con Rods Main Sizes

Brand: Hurricane	
Center to Center Length: 129mm/5.079"	
Big End Bore Diameter: 45.13mm/1.777"	
Big End Width: 21.7mm/0.854"	
Small End Bore Diameter: 18mm /0.709"	
Small End Width: 21.7mm/0.854"	
Beam Style: I-beam	

## Fiat 1.4L connecting rod Features

Connecting Rod Bolt Diameter	5/16 "
Approximate Connecting Rod Weight	XXXg
Advertised Horsepower Rating	750hp
Quantity	Sold as 4 pieces /set
Material	<a href="#">Forged 4340 steel</a>
Connecting Rod Finish	Shot-peened, Polished
Pin	Bronze wrist pin bushings
Wrist Pin Style	Floating
Cap Retention Style	Cap screw
Weight Matched Set	Yes ,Balanced +/- 1g
Magnafluxed	Yes
Private Label	Yes ,available
Custom design	Yes, accept

## Fiat 129mm 4340 I-beam connecting rods Description

Hurricane Speed & Performance is a Engine components supplier in China, performance forged 4340 connecting rods are our mature products. Here is a short introduce about our CNC production line, please watch our Youtube video: [How it's made: Connecting rod](#)

On the market, Here are two kinds of forged blanks: 2-piece forging and 1- piece forgings. Those Fiat

129mm 4340 I-beam connecting rods use strict one-piece chromoly 4340 steel, hardness of 34-38 HRC to ensure maximum strength. I-Beam Fiat Punto 1.4L Con Rods dimensions precision requirements are careful quality controlled, for example: Center to center length tolerance: +/-0.05mm, big end bore tolerance: +0.013mm, pin end bore tolerance: +0.005mm.



Note: 2- pieces forgings (blanks)

Note: 1- piece forgings (blanks)

Hurricane also have H beam design for Fiat 1.4L connecting rod, Click here to view [H beam Fiat Punto 1.4L T-jet forged 4340 steel connecting rod](#)

## Fiat I beam forged 4340 steel connecting rods Design



This Fiat I beam forged 4340 steel connecting rods is a 3X45°Shoulder design, Hurricane also provide Round shoulder and Square Shoulder design. Please check our News Page to know more information:

#1, [Hurricane Connecting Rod Shoulder Design](#)

#2, [Hurricane Connecting Rods Big End Design](#)

## Fiat Car Picture



We are looking forward to help you with your next project, Please feel free to [contact us](#) and let us know your concerns.