

# BB-Chevy I-Beam 6.535 2.200 .990 Bush 4340 Connecting Rods Main Sizes

|  |  |
|--|--|
| Brand: Hurricane                         |  |
| Center to Center Length: 165.99mm/6.535" |  |
| Big End Bore Diameter: 59.047mm /2.325"  |  |
| Big End Width: 25.17mm/0.990"            |  |
| Small End Bore Diameter: 25.146mm/0.990" |  |
| Small End Width: 28.70mm/1.130"          |  |
| Beam Style: I-beam                       |  |

## Stock 454 6.535 BBC connecting rods more details

|                                     |                           |
|-------------------------------------|---------------------------|
| <b>Connecting Rod Bolt</b> Diameter | 7/16"                     |
| Approximate Connecting Rod Weight   | xxx                       |
| Advertised Horsepower Rating        | 1200hp                    |
| Quantity                            | Sold as 8 pieces /set     |
| Material                            | Forged 4340 steel         |
| Connecting Rod Finish               | Shot-peened, Polished     |
| Pin                                 | Bronze wrist pin bushings |
| Wrist Pin Style                     | Floating                  |
| Cap Retention Style                 | Cap screw                 |
| Weight Matched Set                  | Yes ,Balanced +/- 1g      |
| Magnafluxed                         | Yes                       |
| Private Label                       | Yes ,available            |
| Custom design                       | Yes, accept               |

## Big block chevy 6.535" I-beam Connecting Rods Specs

The Hurricane Speed and Performance BBC Series rods engineered for high performance applications where power adders are common. This rod features premium 7/16" bolts. 0.990 Wrist Pin / 2.200 Crank Pin / 0.990 Big End Width / 2.325 Big End Bore.



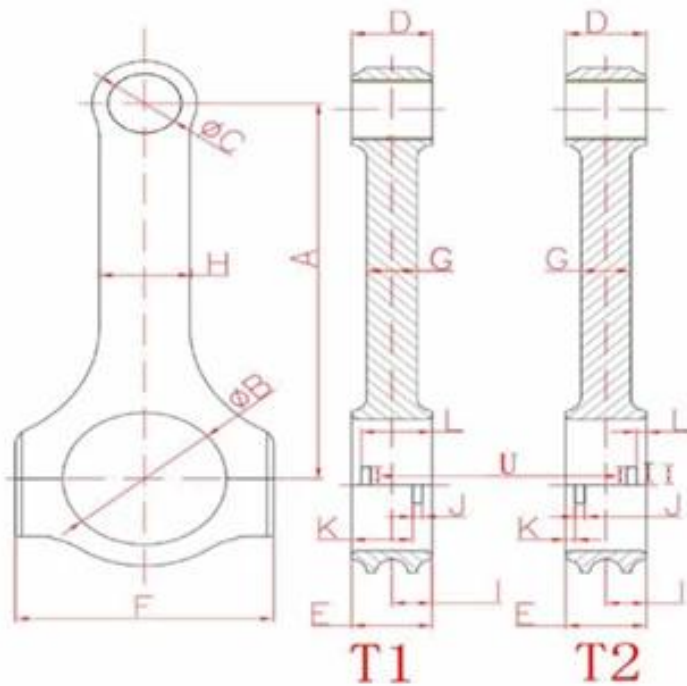
**Feature:**

- 1.Round shoulder;
- 2.I-beam;
- 3.Final bore to use directly;
- 4.Single oil on the top of small end;
- 5.100% CNC machine;
- 6.Honed by SUNNEE machine;
- 7.Polished and shot peened;
- 8.Heat treated with 34-38HRC;
- 9.Sold with high quality bronze bushing;
- 10.[Custom specifications](#) is available .



## Hurricane Speed & Performance - Custom Connecting Rod Form

SPECIEF UNITS: \_\_\_\_\_ MM OR IN



- A \_\_\_\_\_ Center to Center length/中心距
- B \_\_\_\_\_ Big End Bore/大孔
- C \_\_\_\_\_ Pin End Bore/小孔
- D \_\_\_\_\_ Pin End Width/小轴厚度
- E \_\_\_\_\_ Big End Width/大轴厚度
- F \_\_\_\_\_ Overall BE Width/肩宽
- G \_\_\_\_\_ Beam Thickness/杆厚
- H \_\_\_\_\_ Beam Width/杆宽
- I \_\_\_\_\_ BE Offset
- J \_\_\_\_\_ T1 Or T2 反瓦/正瓦
- K \_\_\_\_\_ Tang Position
- L \_\_\_\_\_ Tang Width/瓦槽宽度
- M \_\_\_\_\_ Tang Depth/瓦槽深度
- N \_\_\_\_\_ Tang Position
- O \_\_\_\_\_ Tang Length/瓦槽长度
- P \_\_\_\_\_ H-beam,X-beam,I-beam/设计
- Q \_\_\_\_\_ Piece/Set 只/组
- R \_\_\_\_\_ Engine Model/发动机型号
- S \_\_\_\_\_ Bolt Diameter(inch)/螺栓规格
- T \_\_\_\_\_ Piece (Quantity)/数量
- U \_\_\_\_\_ Bolt Length(inch)/螺栓长度



## BBC connecting rods

| Option | Material   | Design        | Link Title   |
|--------|------------|---------------|--|
| 6.135  | 4340 steel | I-beam        | <a href="#">Chevy BBC 454 Connecting Rods - 6.135 in</a>   |
| 6.385  | 4340 steel | H-beam        | <a href="#">Forged Steel GM/Chevrolet V8 BBC connecting rods,rod length 6.385"</a>                           |
| 6.535  | 4340 steel | H-beam        | <a href="#">BBC Chevy 454 Forged Steel 6.535" Rods Set of 8pcs</a>   |
| 6.700  | 4340 steel | H-beam        | <a href="#">GM 396/454/502 BBC 6.700 inch Connecting Rods</a>  |
| 6.700  | 4340 steel | Custom I-beam | <a href="#">Forged I-beam 6.700 connecting rods for Chevy/GM bbc 396/454/502</a>                             |
| 6.800  | 4340 steel | H-beam        | <a href="#">H-Beam Racing 6.800" 2.325" 0.990" Bronze Bush 4340 Connecting Rods for Chevy BBC 454 engine</a> |
| 7.100  | 4340 steel | I-beam        | <a href="#">Big Block Chevy BBC 4340 Forged I-beam 7.100" Connecting Rods</a>                                |
| 7.100  | 4340 steel | H-beam        | <a href="#">CHEVY BIG BLOCK GEN VI Connecting Rods - 7.100 in.</a>   |
|        |            | H-beam        | I-beam   |



**Contact us**, getting the best and latest price, giving yourself edge over your competitors, we would like to cooperate with more good customer like you.

Any interest, please don't hesitate to leave an message to email: [marketing@hurricane-rod.com.cn](mailto:marketing@hurricane-rod.com.cn).