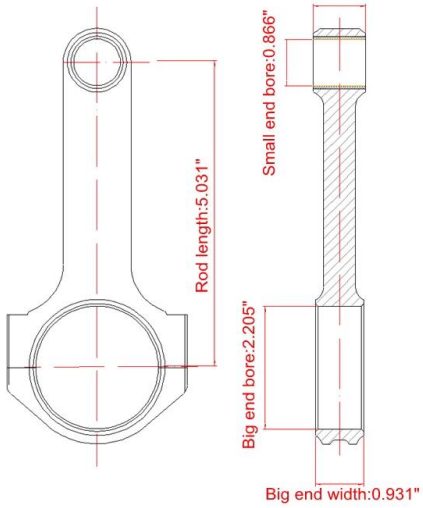


Porsche 911 Hurricane Connecting Rods Main Sizes

Brand: Hurricane*	
Center to Center Length: 127.79mm/5.301"	
Big End Bore Diameter: 56.007mm/2.205"	
Big End Width: 23.65mm/0.931"	
Small End Bore Diameter: 22.00mm /0.866"	
Small End Width: ~	
Beam Style: H-beam	

Porsche 911 2.4-2.7L set of 6 Connecting Rods More Details

Connecting Rod Bolt Diameter	3/8 "
Approximate Connecting Rod Weight	~
Advertised Horsepower Rating	600hp
Package	6 pieces /set
Material	Forged 4340 steel
Connecting Rod Finish	Shot-peened, Polished
Pin	Bronze wrist pin bushings
Wrist Pin Style	Floating
Cap Retention Style	Cap screw
Weight Matched Set	Yes Balanced +/- 1g
Magnafluxed	Yes
Private Label	Yes ,available
Custom design	Yes, accept

4340 Forged CONN RODS PORSCHE 911 Connecting Rods Features

- Forged 4340/EN24 chrome moly forging;



- Full CNC machined;
- Heat-treated to hardness: 34-38;
- Full coverage shotpeened;



- End-to-end balanced in sets.
 - Aluminum bronze wrist pin bushings (standard);
- Besides common features, more features could be come true:
- EDM pressure-fed oiling to pin (available at extra cost).
 - Custom Pin diameters and center-to-center rod lengths can be ordered at no additional cost.
 - Aluminum or 300M;
 - Rifle Drilling (special oiling).

Engine Series	Length	BE bore	BE width	PE bore
944 & 944 turbo	5.906"	2.165"	1.132"	0.945"
928	5.906"	2.165"	0.856"	0.945"
911 2.0-2.2L	5.118"	2.401"	0.856"	0.866"

911 2.4-2.7L	5.031"	2.205"	0.931"	0.866"
911 3.0L	5.031"	2.205"	0.856"	0.866"
911 3.2-3.3-3.6-3.8L	5.000"	2.283"	0.856"	0.905"
993	5.000"	2.283"	0.743"	0.905"
996	5.710"	2.205"	0.795"	0.866"
924	5.670"	2.032"	1.098"	0.945"
914 1.7-1.8L	5.000"	2.276"	1.011"	0.945"
914 2.0L	5.160"	2.079"	1.011"	0.945"

The above list is a sampling of our most popular rods for Porsche engines. It is by no means a complete listing. Keep in mind that we are geared for the production of custom sizes in all engine series. If you need, please feel free to contact us on Live Chat or Email to Marketing@hurricane-rod.com.cn.