

# BMW S38B36 6cyl Connecting Rods Main Sizes

Brand: Hurricane	
Center to Center Length: 144mm/ 5.670"	
Big End Bore Diameter: 52.00mm/2.047"	
Big End Width: 23.90mm/0.941"	
Small End Bore Diameter: 22.00mm /0.866"	
Small End Width: 23.90mm/0.941"	
Beam Style: I-beam	

# BMW S38B36 6cyl Connecting Rods Features

Connecting Rod Bolt Diameter	3/8"
Approximate Connecting Rod Weight	XXX
Advertised Horsepower Rating	1000hp
Quantity	Sold as 6 pieces /set
Material	Forged 4340 steel
Connecting Rod Finish	Shot-peened, Polished
Pin	Bronze wrist pin bushings
Wrist Pin Style	Floating
Cap Retention Style	Cap screw
Weight Matched Set	Yes ,Balanced +/- 1g
Magnafluxed	Yes
Private Label	Yes ,available
Custom design	Yes, accept

## Products Description :

- 1). Made from 4340 forged steel material;
- 2). 100% designed and processed by CNC machine with around 800-1100hp;

- 3). All big and small ends are finished with SUNNEN honing machine for superior tolerances;
- 4). 100% X-rayed, sonic tested and magnafluxed;
- 5). Multi-stage heat treated;
- 6). Shot peened to relieve stress and for improved fatigue life;
- 7). Come with the bronzed bushing suitable for the floating piston pin ;
- 8). Built as **I-Beam shape** for extra rigidity ;
- 9). Optimal balancing for weight matched sets  $\pm 1$ gram ;
- 10). Magnaflux Inspected and Dimensionally Inspected to ensure extreme reliability;

Product details display:

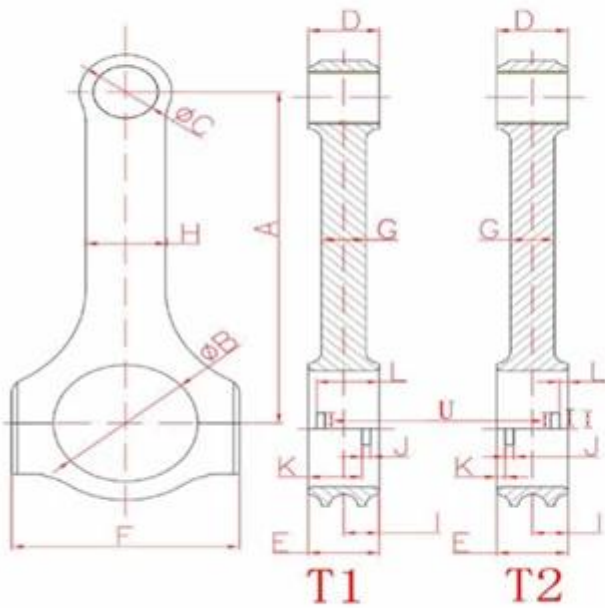


We offer personalized premium customized service , you can fill the full dimensions in [here](#) or send detailed drawing or used sample for us if you would like to make custom connecting rods .



## Hurricane Speed & Performance - Custom Connecting Rod Form

SPECIEF UNITS: \_\_\_\_\_ MM OR IN



- |                             |                         |
|-----------------------------|-------------------------|
| A. _____                    | B. _____                |
| Center to Center length/中心距 | Big End Bore/大孔         |
| C. _____                    | D. _____                |
| Pin End Bore/小孔             | Pin End Width/小轴厚度      |
| E. _____                    | F. _____                |
| Big End Width/大轴厚度          | Overall BE Width/肩宽     |
| G. _____                    | H. _____                |
| Beam Thickness/杆厚           | Beam Width/杆宽           |
| I. _____                    | S. _____                |
| BE Offset                   | T1 Or T2 反瓦/正瓦          |
| K. _____                    | J. _____                |
| Tang Position               | Tang Width/瓦槽宽度         |
| V. _____                    | L. _____                |
| Tang Depth/瓦槽深度             | Tang Position           |
| U. _____                    | M. _____                |
| Tang Length/瓦槽长度            | H-beam/X-beam/I-beam/设计 |
| O. _____                    | N. _____                |
| Piece/Set 只/组               | Engine Model/发动机型号      |
| P. _____                    | Q. _____                |
| Bolt Diameter(Inch)/螺栓规格    | Piece (Quantity)/数量     |
| R. _____                    |                         |
| Bolt Length(Inch)/螺栓长度      |                         |



Any further question, please don't hesitate to [contact](#) us .