

Honda K24 Connecting Rods Main Sizes

Brand: Hurricane	
Center to Center Length: 151.99mm/5.984"	
Big End Bore Diameter: 51.006mm/2.008"	
Big End Width: 19.8mm/0.780"	
Small End Bore Diameter: 22.015mm /0.867"	
Small End Width: 19.8mm/0.780"	
Beam Style: H-beam	

Performance Connecting Rod for Honda K24 More Details

Connecting Rod Bolt Diameter	3/8 "
Approximate Connecting Rod Weight	~
Advertised Horsepower Rating	600hp
Package	4 pieces per set
Material	Forged 4340 steel
Connecting Rod Finish	Shot-peened, Polished
Pin	Bronze wrist pin bushings
Wrist Pin Style	Floating
Cap Retention Style	Cap screw
Weight Matched Set	Yes Balanced +/- 1g
Magnafluxed	Yes
Private Label	Yes ,available
Custom design	Yes, accept

Forged Honda K Series Connecting Rods Features

The strength of rod will depend on the alloy and heat treatment, the design of the rod, its thickness, dimensions and weight. All hurricane rods made from forged steel 4340 for many engines, and heat treatment make HRC get to 34-38.

1. SHOUDLER

Increase strength of shoulder, combine bolt strength and rods length perfectly.

2. **RIBBED PIN END**

Ribbed pin end surround helps to maintain pin bore roundness and avoid PE distortion in high engine speed applications.



3. Double oil holes at the small end

To provide more lubrication to the bushing in small end, Hurricane assembled double oil holes at the small end, so that the oil will drip during the piston's compressing cycle.



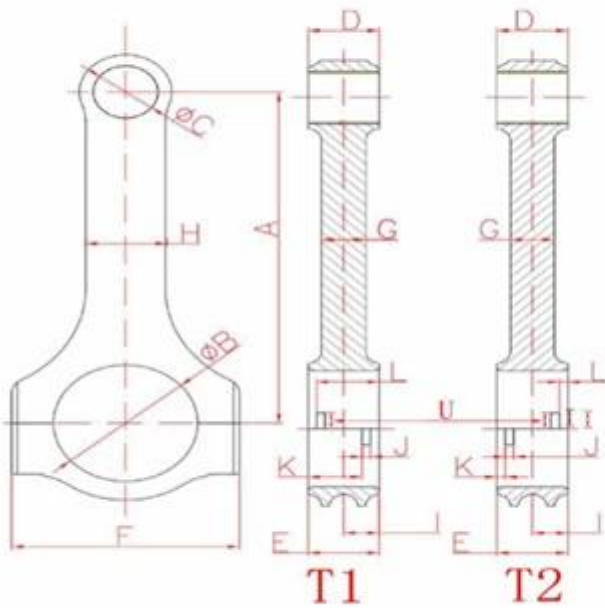
As well as custom rods (forged or billet) that can be made to order with three ways:

1. Sample sent to us directly, address: Middle Ring Shuangjing Rd Chengdu Sichuan 610081 China
2. Full drawing to our email: marketing@hurricane-rod.com.cn
3. Fill in your requirement at our [Custom Form](#)



Hurricane Speed & Performance - Custom Connecting Rod Form

SPECIEF UNITS _____ MM OR IN



- | | |
|-----------------------------|-------------------------|
| A _____ | B _____ |
| Center to Center length/中心距 | Big End Bore/大孔 |
| C _____ | D _____ |
| Pin End Bore/小孔 | Pin End Width/小轴厚度 |
| E _____ | F _____ |
| Big End Width/大轴厚度 | Overall BE Width/肩宽 |
| G _____ | H _____ |
| Beam Thickness/杆厚 | Beam Width/杆宽 |
| I _____ | S _____ |
| BE Offset | T1 Or T2 反瓦/正瓦 |
| K _____ | J _____ |
| Tang Position | Tang Width/瓦槽宽度 |
| V _____ | L _____ |
| Tang Depth/瓦槽深度 | Tang Position |
| U _____ | M _____ |
| Tang Length/瓦槽长度 | H-beam X-beam I-beam/设计 |
| O _____ | N _____ |
| Piece/Set 只/组 | Engine Model/发动机型号 |
| P _____ | Q _____ |
| Bolt Diameter(Inch)/螺栓规格 | Piece (Quantity)/数量 |
| R _____ | |
| Bolt Length(Inch)/螺栓长度 | |

