

BMW S38B36 6cyl Connecting Rods Main Sizes

Brand: Hurricane	
Center to Center Length: 144mm/ 5.670"	
Big End Bore Diameter: 52.00mm/2.047"	
Big End Width: 23.90mm/0.941"	
Small End Bore Diameter: 22.00mm /0.866"	
Small End Width: 23.90mm/0.941"	
Beam Style: I-beam	

BMW S38B36 6cyl Connecting Rods Features

Connecting Rod Bolt Diameter	3/8"
Approximate Connecting Rod Weight	XXX
Advertised Horsepower Rating	1000hp
Quantity	Sold as 6 pieces /set
Material	Forged 4340 steel
Connecting Rod Finish	Shot-peened, Polished
Pin	Bronze wrist pin bushings
Wrist Pin Style	Floating
Cap Retention Style	Cap screw
Weight Matched Set	Yes ,Balanced +/- 1g
Magnafluxed	Yes
Private Label	Yes ,available
Custom design	Yes, accept

Products Description :

- 1). Made from 4340 forged steel material;
- 2). 100% designed and processed by CNC machine with around 800-1100hp;

- 3). All big and small ends are finished with SUNNEN honing machine for superior tolerances;
- 4). 100% X-rayed, sonic tested and magnafluxed;
- 5). Multi-stage heat treated;
- 6). Shot peened to relieve stress and for improved fatigue life;
- 7). Come with the bronzed bushing suitable for the floating piston pin ;
- 8). Built as **I-Beam shape** for extra rigidity ;
- 9). Optimal balancing for weight matched sets ± 1 gram ;
- 10). Magnaflux Inspected and Dimensionally Inspected to ensure extreme reliability;

Product details display:

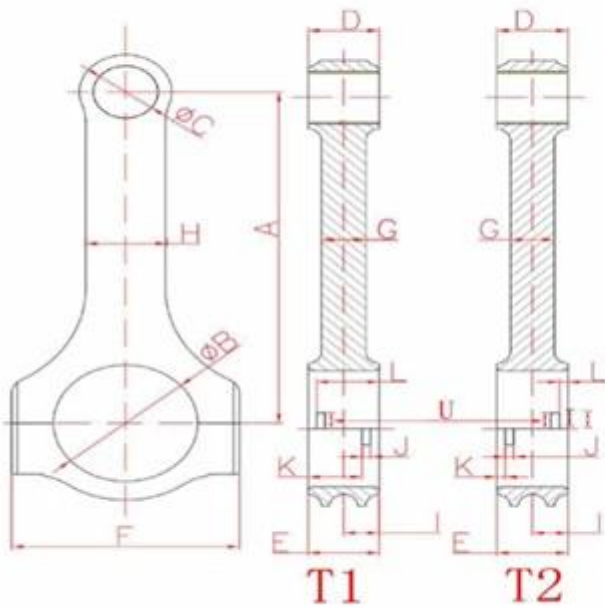


We offer personalized premium customized service , you can fill the full dimensions in [here](#) or send detailed drawing or used sample for us if you would like to make custom connecting rods .



Hurricane Speed & Performance - Custom Connecting Rod Form

SPECIEF UNITS: _____ MM OR IN



- A. _____
- Center to Center length/中心距
- C. _____
- Pin End Bore/小孔
- E. _____
- Big End Width/大端厚度
- G. _____
- Beam Thickness/杆厚
- I. _____
- BE Offset
- K. _____
- Tang Position
- V. _____
- Tang Depth/瓦槽深度
- U. _____
- Tang Length/瓦槽长度
- O. _____
- Piece/Set 只/组
- P. _____
- Bolt Diameter(Inch)螺栓规格
- R. _____
- Bolt Length(Inch)螺栓长度
- B. _____
- Big End Bore/大孔
- D. _____
- Pin End Width/小端厚度
- F. _____
- Overall BE Width/肩宽
- H. _____
- Beam Width/杆宽
- S. _____
- T1 Or T2 反瓦/正瓦
- J. _____
- Tang Width/瓦槽宽度
- L. _____
- Tang Position
- M. _____
- H-beam X-beam I-beam/设计
- N. _____
- Engine Model/发动机型号
- Q. _____
- Piece (Quantity)数量



Any further question, please don't hesitate to [contact](#) us .