

Brand: Hurricane  
 Engine: Honda B16A VTEC 1.6L  
 Part Type: Connecting Rods  
 Center to Center Length: 134.37mm/5.290"  
 Big End Bore Diameter: 48.01mm/1.890"  
 Big End Width: 23.75mm/0.935"  
 Small End Bore Diameter: 21.02mm /0.828"  
 Small End Width: 21.00mm/0.827"  
 Beam Style: H-beam  
 Quantity :4 piece per set  
 Approximate Connecting Rod Weight: 468g/piece  
 Advertised Horsepower Rating: 750hp  
 Material: Forged 4340 steel  
 Connecting Rod Finish: Shot-peened, Polished  
 Pin: Bronze wrist pin bushings  
 Wrist Pin Style: Floating  
 Cap Retention Style: Cap screw  
 Weight Matched Set: Yes ,Balanced +/- 1g  
 Magnafluxed: Yes  
 Private Label: Yes ,available  
 Custom design: Yes, accept

#### **Honda B16A Forged Conrods Additional Description:**

- 1). These H-beam forged connecting rod fits for Honda B16A engine, forged from [4340 chromoly steel](#) , all surface are fully machined by advanced CNC machine .
- 2). Each rod is heat-treated, X-rayed, sonic-tested, magnafluxed, polished, shot-peened and honed.
- 3). Packaged in balanced per set: end to end +/- 1 gram
- 4). H-beam design combines weight saving and high strength
- 5). Dimensionally inspected to ensure extreme reliability
- 6). CNC machining for superior tight tolerances

We provide the widest selection of connecting rods for the Honda cars , you are welcome to click the link to visit more details :

HONDA Prelude H22 VTEC 2.2L	H-beam	<a href="#">Forged H beam Honda Prelude H22 connecting rods set, 22mm pin hole</a>
Honda D16L	H-beam	<a href="#">Connecting rod H-beam for Honda D16L</a>
HONDA / ACURA S2000 F22C	X-beam	<a href="#">HONDA / ACURA S2000 F22C Rods</a>
Honda Prelude H22 VTEC 2.2L	I-beam	<a href="#">Honda Prelude H22 VTEC 2.2L 5.636" I beam connecting rods</a>
Honda L15A FIT/JAZZ	H-beam	<a href="#">H Beam Forged 4340 Conrods For Honda L15 L15a Connecting Rod</a>
Honda Integra LS CRV B18A B18B B20	X-beam	<a href="#">X Beam Rods Honda Integra LS CRV B18A B18B B20 5.394</a>
Honda S2000 F22C	H-beam	<a href="#">4340 Chrome Moly Connecting Rods for HONDA F22C, 2.2L S2000, Set of 4</a>
HONDA / ACURA B16	H-beam	<a href="#">Honda B16 H beam 4340 steel connecting rods,136mm length,20mm pin</a>
Honda Civic Si B16 B16A B16A2	H-beam	<a href="#">Hurricane H-Beam Rod Honda Civic Si B16 B16A B16A2</a>
Honda Acura K24	H-beam	<a href="#">Honda Acura K24 H-beam connecting rods</a>
Honda F20B	H-beam	<a href="#">H-beam Honda F20B Engine Connecting Rods Set , 5.709 length 145mm conrod</a>
Honda D16Z6	H-beam	<a href="#">Honda D16Z6 connecting rods H-beam forged 4340 steel</a>

Honda K24 K24A	I-beam	<a href="#">Honda / Acura K Series K24 TSX K24A K24Z Element CRV CONNECTING RODS</a>
Honda Jazz	I-beam	<a href="#">Hurricane Customs Honda Jazz Rods and Honda FIT Connecting Rods on Sale</a>
Honda D16A	H-beam	<a href="#">4340 Connecting rod H-beam for Honda D16A</a>
Honda K20A3	H-beam	<a href="#">Steel forged Connecting Rod Honda K20A3 138.51mm /5.453" rod length</a>
HONDA F22/H23	H-beam	<a href="#">4340 H-beam Honda F22/H23 connecting rods with 22mm pin, set of 4</a>

**FAQ:**

Q: Do you offer OVERSIZED RODS ?

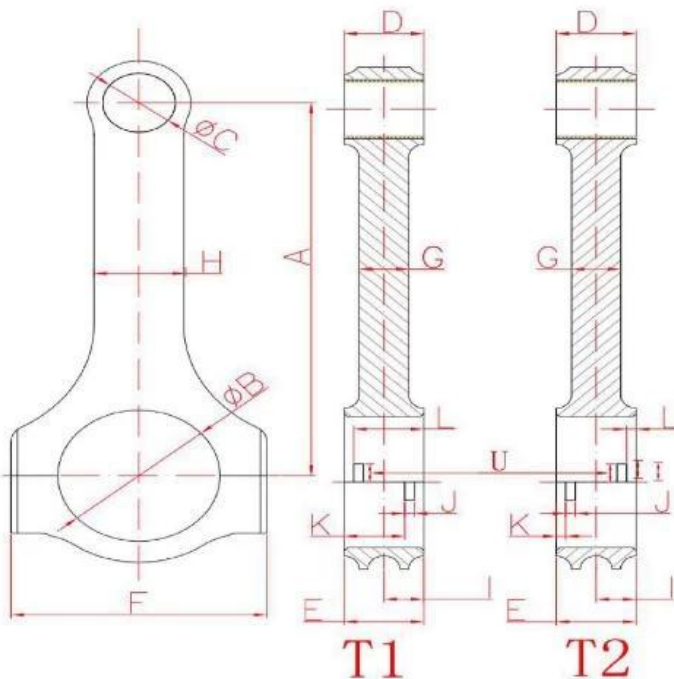
A: Yes, Rods, Those are larger than our forging either in length or width, can develop a new die to suit your requirements, or also can be made from billet material. Oversized rods are quoted per order and must be paid in advance. Welcome to leave message to our skilled staff. Besides oversized conencting rods, Hurricane also accept custom connecting rods order, if you are interested in custom rods, please feel free

send detailed drawing, sample or detailed dimensions to us. **Our custom connecting rod form as below:**



**Hurricane Speed & Performance - Custom Connecting Rod Form**

SPECIEF UNITS: \_\_\_\_\_ MM OR IN



- A. \_\_\_\_\_ Center to Center length/中心距
- B. \_\_\_\_\_ Big End Bore/大孔
- C. \_\_\_\_\_ Pin End Bore/小孔
- D. \_\_\_\_\_ Pin End Width/小端厚度
- E. \_\_\_\_\_ Big End Width/大端厚度
- F. \_\_\_\_\_ Overall BE Width/肩宽
- G. \_\_\_\_\_ Beam Thickness/杆厚
- H. \_\_\_\_\_ Beam Width/杆宽
- I. \_\_\_\_\_ BE Offset
- J. \_\_\_\_\_ T1 Or T2 反瓦/正瓦
- K. \_\_\_\_\_ Tang Position
- L. \_\_\_\_\_ Tang Width/瓦槽宽度
- M. \_\_\_\_\_ Tang Depth/瓦槽深度
- N. \_\_\_\_\_ Tang Position
- O. \_\_\_\_\_ Tang Length/瓦槽长度
- P. \_\_\_\_\_ H-beam,X-beam,I-beam/设计
- Q. \_\_\_\_\_ Piece/Set 只/组
- R. \_\_\_\_\_ Engine Model/发动机型号
- S. \_\_\_\_\_ Bolt Diameter(Inch)/螺栓规格
- T. \_\_\_\_\_ Piece (Quantity)/数量
- U. \_\_\_\_\_ Bolt Length(Inch)螺栓长度



Q: Could you provide logo printing(private label) service on connecting rods ?

Yes , we can laser logo on the rods, please don't hesitate to tell our skilled staff your request on lasering once order placed.